

Vacu-Cell™ System

Laminar Flow Round

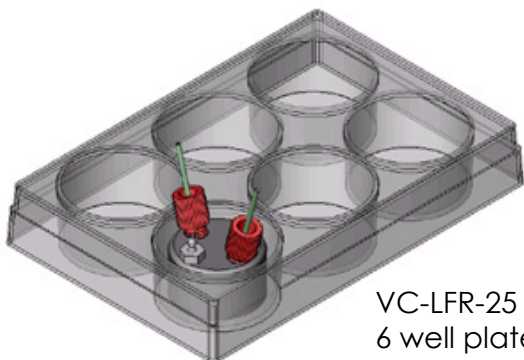
The laminar flow incubation perfusion chamber forms a small laminar flow rectangular flow chamber using a coverslip as one surface. The chamber body has a diameter of 1.12 inches and is 0.65 inches tall. The coverslip is held tightly against the chamber body by a vacuum, forming a chamber 250 microns in depth. Other depths are available on request. You can use the Model VCS-1 vacuum pump system provided by C&L Instruments or an ordinary laboratory vacuum.

The Vacu-Cell forms a chamber with virtually any flat surface. You can even use the Vacu-Cell directly with a 6-well microtitre plate or Petri dish without the need for a coverslip.

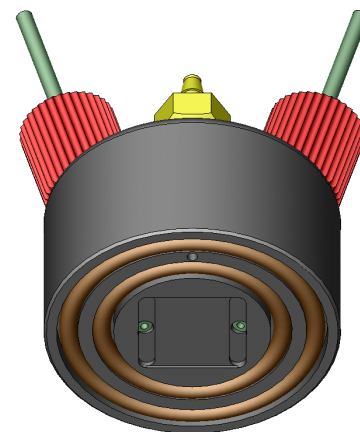
The laminar flow design is available for 18 and 25 mm diameter coverslips. Both styles use the same microscope chamber holder. The Stainless Steel and Aluminum versions are also available with an integrated heating element and temperature probe port.

Model Numbers

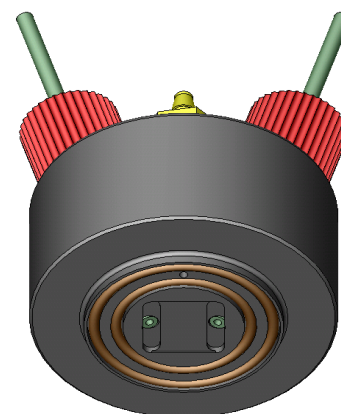
VC-LFR-25-SS	Stainless Steel, 25 mm
VC-LFR-25-BD	Black Delrin, 25 mm
VC-LFR-25-CA	Clear Acrylic, 25 mm
VC-LFR-25-BA	Black Anodized Aluminum, 25 mm
VC-LFR-25-SS-H	Stainless Steel, 25 mm, with Heater
VC-LFR-25-BA-H	Black Anodized Aluminum, 25 mm, Heater
VC-LFR-18-CA	Clear Acrylic, 18 mm
VC-LFR-18-BA	Black Anodized Aluminum, 18 mm
VC-LFR-18-BA-H	Black Anodized Aluminum, 18 mm, Heater
VC-25RCS-1	25 mm No. 1 Round Coverslips, Box of 160
VC-25RCS-2	25 mm No. 2 Round Coverslips, Box of 110
VC-18RCS-1	18 mm No. 1 Round Coverslips, Box of 310
VC-18RCS-2	18 mm No. 2 Round Coverslips, Box of 300
VC-25-ORINGS	O-rings for 25 mm series, 10 Sets
VC-18-ORINGS	O-rings for 18 mm series, 10 Sets



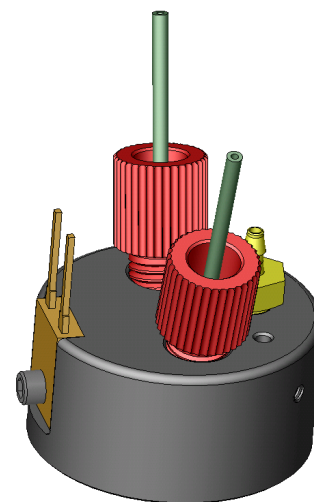
VC-LFR-25 in a 6 well plate



Model VC-LFR-25



Model VC-LFR-18



Model VC-LFR-18-H

C&L Instruments, Inc.
www.fluorescence.com
717-564-9491