

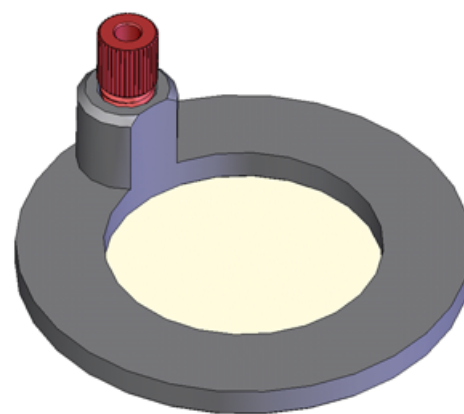
# Vacu-Cell™ System

## Open Top Round

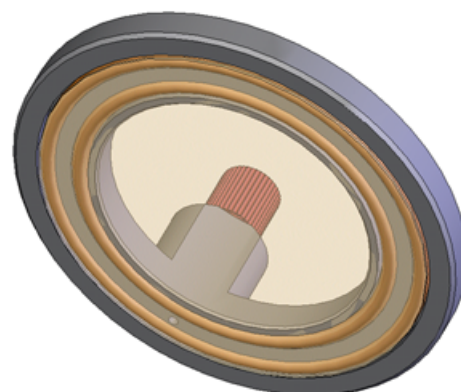
The Open Top incubation chamber forms a small round chamber using a coverslip or other flat surface. The chamber body has a outer diameter of 1.12 inches. A 25 mm diameter coverslip, or other flat surface, is held tightly against the chamber body by a vacuum. You can use a vacuum pump system provided by C&L Instruments or an ordinary laboratory vacuum.

Dual o-rings isolate the vacuum from the area of the coverslip under study and securely hold the coverslip in place. Chambers are formed quickly and easily, without the need for screws, nuts or retaining rings.

The Open Top configuration allows direct access to the top of the coverslip. The observation window measures 17.5 mm diameter. The thickness of the body measures 3 mm. The Open Top Round chamber is available in black anodized aluminum that is coated with parylene for biological compatibility.



**Model VC-OTR-25**  
(top view)



**Model VC-OTR-25**  
(bottom view)

### Model Numbers

VC-OTR-25-BA Black Anodized Aluminum for 25 mm coverslip

VC-25RCS-1 25 mm Round Coverslips, No. 1, Box of 160

VC-25RCS-2 25 mm Round Coverslips, No. 2, Box of 110

VC-25M-ORINGS Replacement O-rings for OTR-25 chamber, 10 Sets

*Patent Pending*

**C&L Instruments, Inc.**  
**[www.fluorescence.com](http://www.fluorescence.com)**  
**717-564-9491**