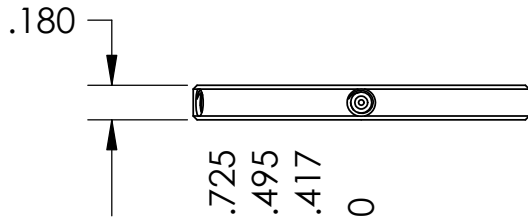
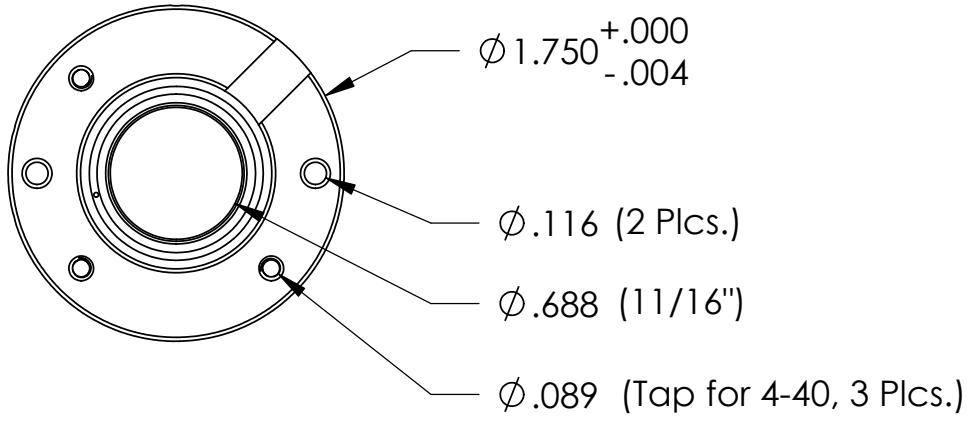
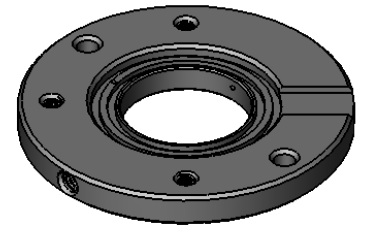
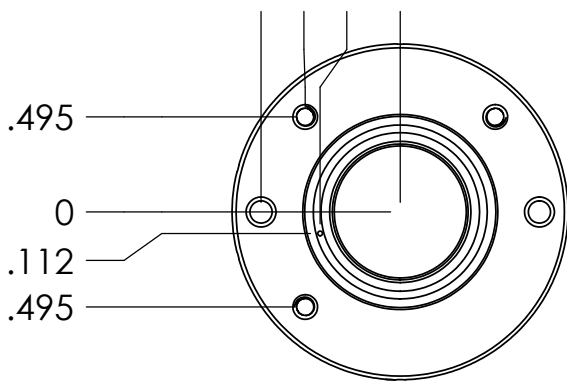


TOP VIEW



BOTTOM VIEW



		PROPERTY OF C&L INSTRUMENTS		NAME	DATE
		DIMENSIONS ARE IN INCHES	DRAWN		
		TOLERANCES: TWO PLACE DECIMAL ± 0.01 THREE PLACE DECIMAL ± 0.002 UNLESS STATED OTHERWISE	CHECKED		
		INTERPRET GEOMETRIC TOLERANCING PER:	ENG APPR.		
		MATERIAL	MFG APPR.		
		6061 Aluminum	Q.A.		
		FINISH	COMMENTS:		
		Black Anodize			
		DO NOT SCALE DRAWING			
	NEXT ASSY	USED ON			
	APPLICATION				

TITLE:
VC-MPC-LW
Customer Drawing

SIZE DWG. NO.

A

SCALE: 1:1 WEIGHT:

PROPRIETARY AND CONFIDENTIAL
THE INFORMATION CONTAINED IN THIS DRAWING IS THE SOLE PROPERTY OF C&L INSTRUMENTS, INC. ANY REPRODUCTION IN PART OR AS A WHOLE WITHOUT THE WRITTEN PERMISSION OF C&L INSTRUMENTS, INC. IS STRICTLY PROHIBITED.

5

4

3

2

1